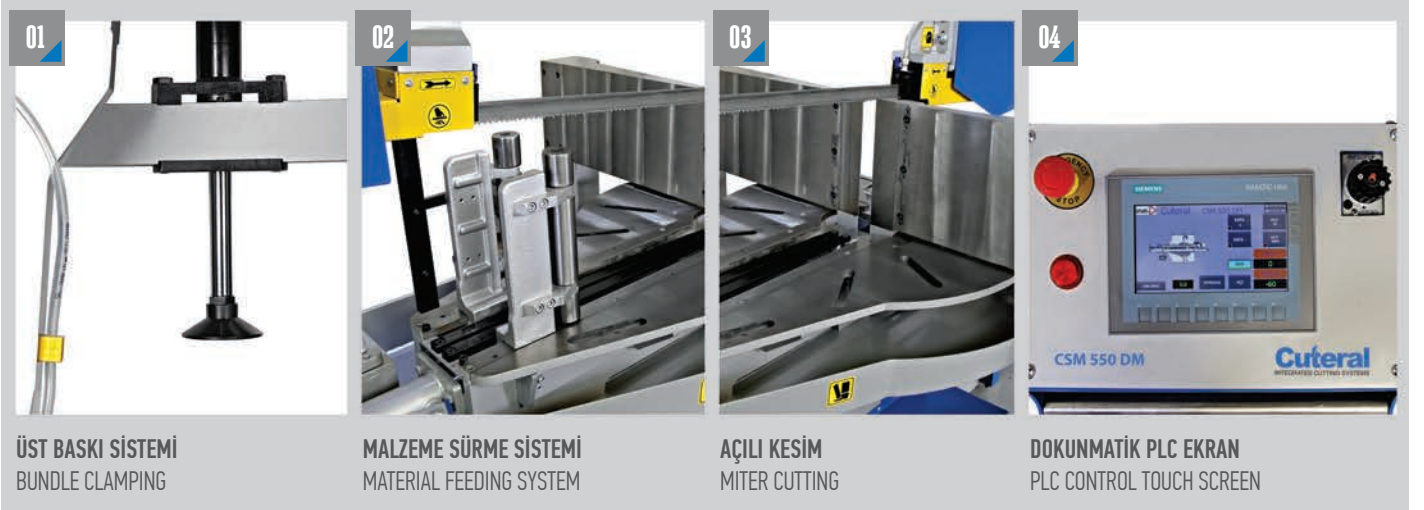


CSM 550 DM

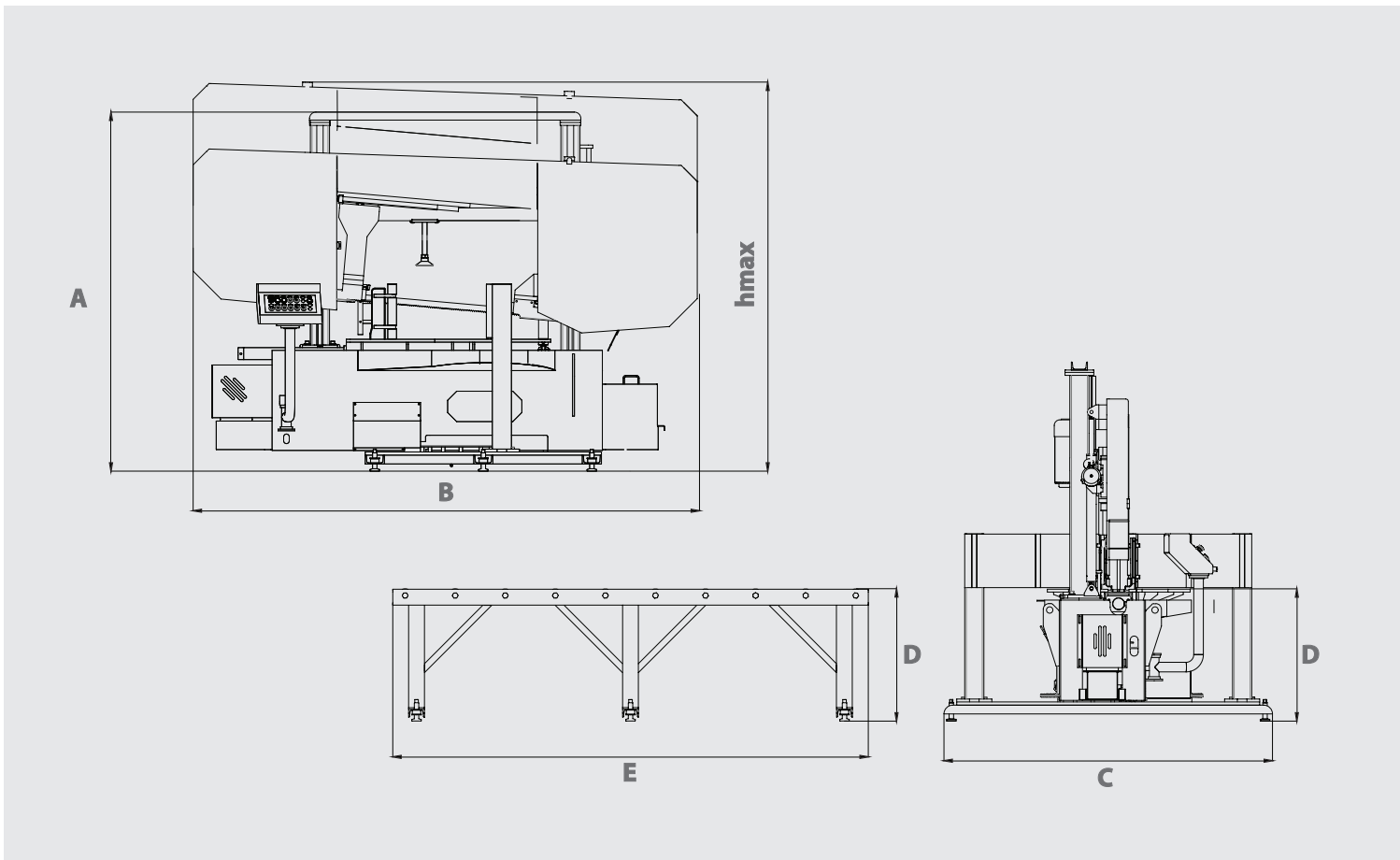


YARI OTOMATİK ÇİFT YÖN AÇILI HİDROLİK SÜTUNLU TESTERE TEZGAHI DOUBLE MITER SEMI AUTOMATIC DOUBLE COLUMN HYDRAULIC BANDSAW MACHINE



ÖLÇÜLER DIMENSIONS

SÜTUNLU MODELLER DOUBLE COLUMN TYPES



TEKNİK ÖZELLİKLER TECHNICAL FEATURES

A	2250 mm 88.58 inch	B	3160 mm 124.41 inch	C	2058 mm 81.02 inch	D	825 mm 32.48 inch	E	3000 mm 118.11 inch	hmax	2437 mm 95.94 inch
---	-----------------------	---	------------------------	---	-----------------------	---	----------------------	---	------------------------	------	-----------------------

Yarı Otomatik Semi Automatic	Şerit Ölçüsü Blade Dimension 41 x 1.3 x 6950 mm 1 1/2 x 0.050 x 269.6 inch	kW Şerit Motoru Blade Motor 4 kW - 1000 d/dk 5.36 hp - 1000 rpm	kW Sürücü Motor Feeding Motor Manuel Manual
kW Hidrolik Motor Hydraulic Pump Motor 1.1 kW - 1500 d/dk 1.48 hp - 1500 rpm	kW H ₂ O Soğutucu Motor Cooling Liquid Motor 0.12 kW - 3000/dk 0.16 hp - 3000 rpm	Voltaj Voltage 400 V 400 V	Maksimum Güç Maximum Power 5.22 kW 7 hp
Kesme Hızı Cutting Speed 15 m/dk - 49 ft/min 100 m/dk - 328 ft/min	KG LBS Ağırlık Weight 3150 kg 6944 lbs	Malzeme Sıkma Sistemi Material Clamping System Hidrolik Hydraulic	Şerit Germe Sistemi Blade Tensioning System Hidromekanik Hydromechanic

90°		mm inch	60°	45°	30°	0°	10°	15°	60°
Kesim Kapasitesi Cutting Capacity	Kesim Kapasitesi Cutting Capacity	●	200 mm 7.87 inch	350 mm 13.78 inch	460 mm 18.11 inch	550 mm 21.65 inch	460 mm 18.11 inch	350 mm 13.78 inch	
550 mm 21.65 inch	610 mm 24.02 inch	■	200 x 200 mm 7.87 x 7.87 inch	350 x 350 mm 13.78 x 13.78 inch	460 x 460 mm 18.11 x 18.11 inch	550 x 550 mm 21.65 x 21.65 inch	460 x 460 mm 18.11 x 18.11 inch	350 x 350 mm 13.78 x 13.78 inch	
		■	550 x 200 mm 21.65 x 7.87 inch	550 x 350 mm 21.65 x 13.78 inch	550 x 460 mm 21.65 x 18.11 inch	550 x 550 mm 21.65 x 21.65 inch	550 x 460 mm 21.65 x 18.11 inch	550 x 350 mm 21.65 x 13.78 inch	