

CAR 550

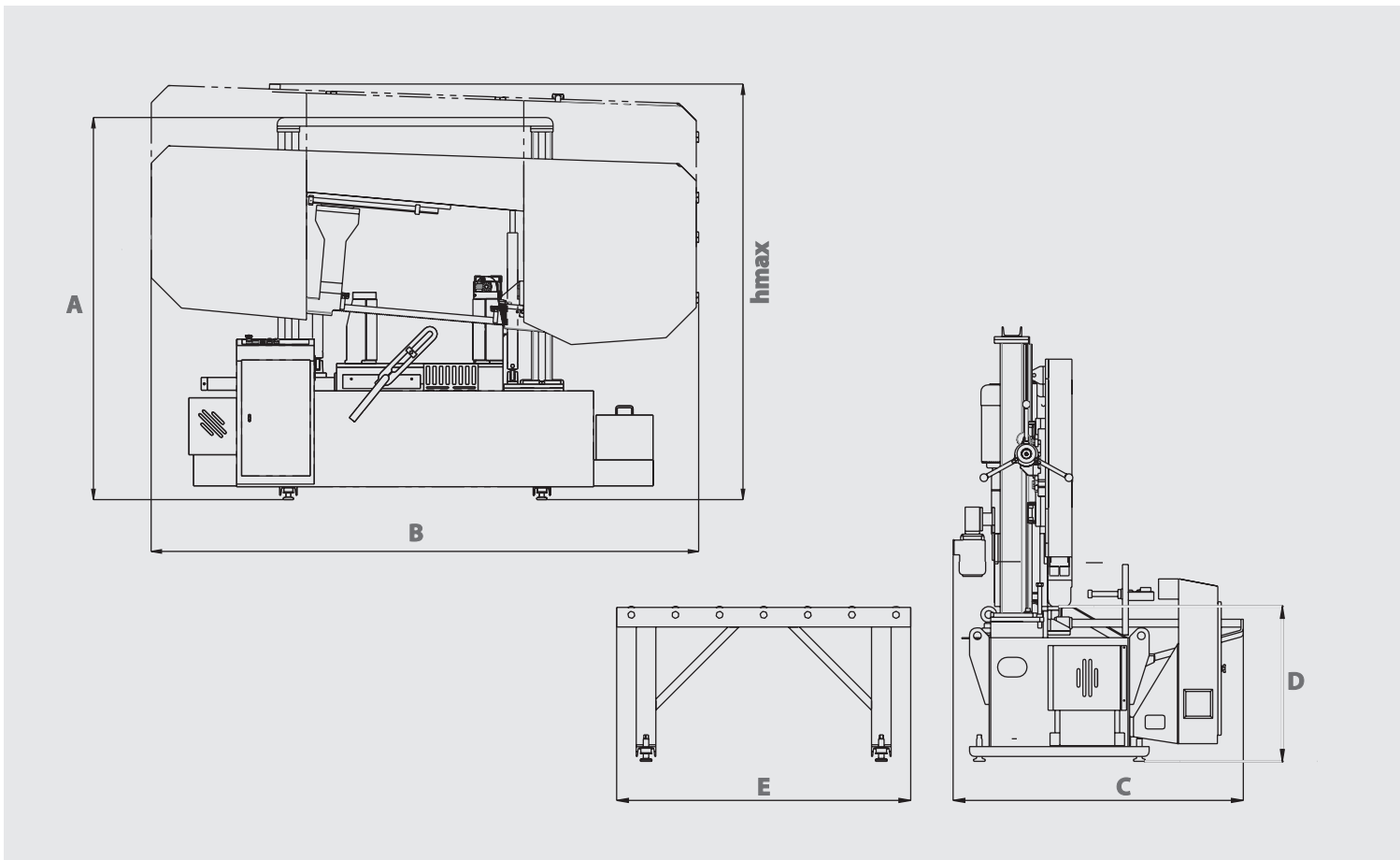


TAM OTOMATİK HİDROLİK SÜTUNLU TESTERE TEZGAHI FULL AUTOMATIC DOUBLE COLUMN HYDRAULIC BANDSAW MACHINE



ÖLÇÜLER DIMENSIONS

SÜTUNLU MODELLER DOUBLE COLUMN TYPES



TEKNİK ÖZELLİKLER TECHNICAL FEATURES

A	2215 mm 87.20 inch	B	3160 mm 124.41 inch	C	1480 mm 58.27 inch	D	790 mm 31.10 inch	E	2000 mm 78.74 inch	hmax	2400 mm 94.49 inch
---	-----------------------	---	------------------------	---	-----------------------	---	----------------------	---	-----------------------	------	-----------------------

Otomatik Automatic	Şerit Ölçüsü Blade Dimension 41 x 1.3 x 6850 mm 1 1/2 x 0.050 x 269.6 inch	Şerit Motoru Blade Motor 4 kW - 1000 d/dk 5.36 hp - 1000 rpm	Sürücü Motor Feeding Motor 0.55 kW - 1000 d/dk 0.73 hp - 1000 d/dk
Hidrolik Motor Hydraulic Pump Motor 1.1 kW - 1500 d/dk 1.48 hp - 1500 rpm	Soğutucu Motor Cooling Liquid Motor 0.12 kW - 3000 d/dk 0.16 hp - 3000 rpm	Voltaj Voltage 400 V 400 V	Maksimum Güç Maximum Power 5.77 kW 7.73 hp
Kesme Hızı Cutting Speed 15 m/dk - 49 ft/min 100 m/dk - 328 ft/min	Ağırlık Weight 2300 kg 5070 lbs	Malzeme Sıkma Sistemi Material Clamping System Hidrolik Hydraulic	Şerit Germe Sistemi Blade Tensioning System Hidromekanik Hydromechanic

Kesim Kapasitesi Cutting Capacity 550 mm 21.65 inch	Kesim Kapasitesi Cutting Capacity 550 mm 21.65 inch	90°	60°	45°	30°	0°	30°	45°	60°
		90°	60°	45°	30°	0°	30°	45°	60°
		90°	60°	45°	30°	0°	30°	45°	60°