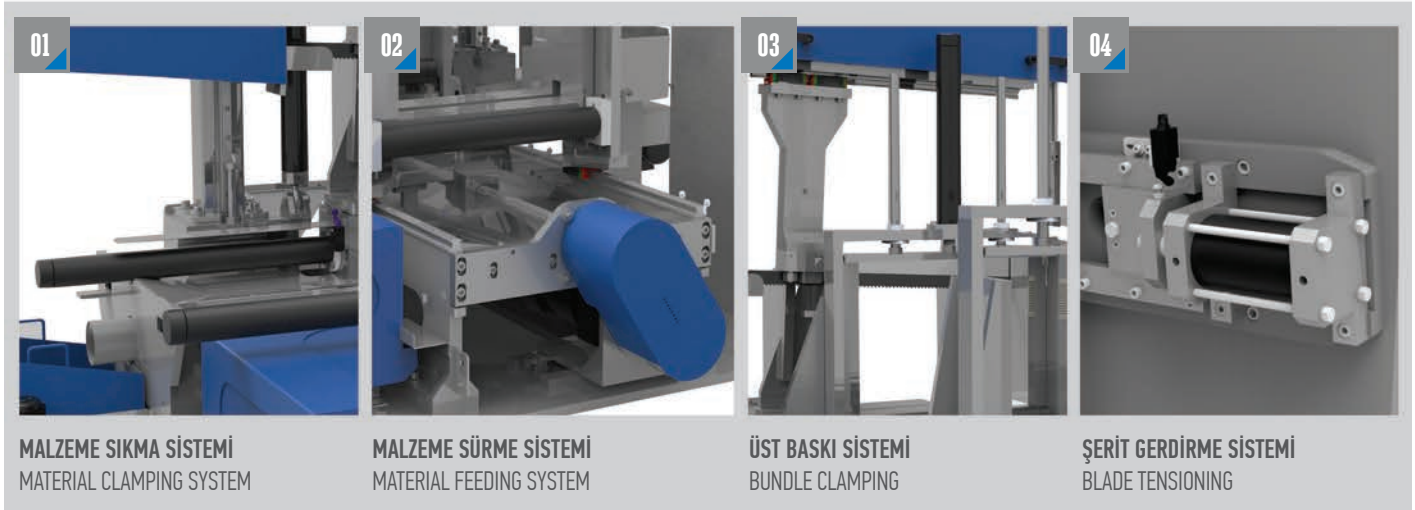


CAB 550 PLC

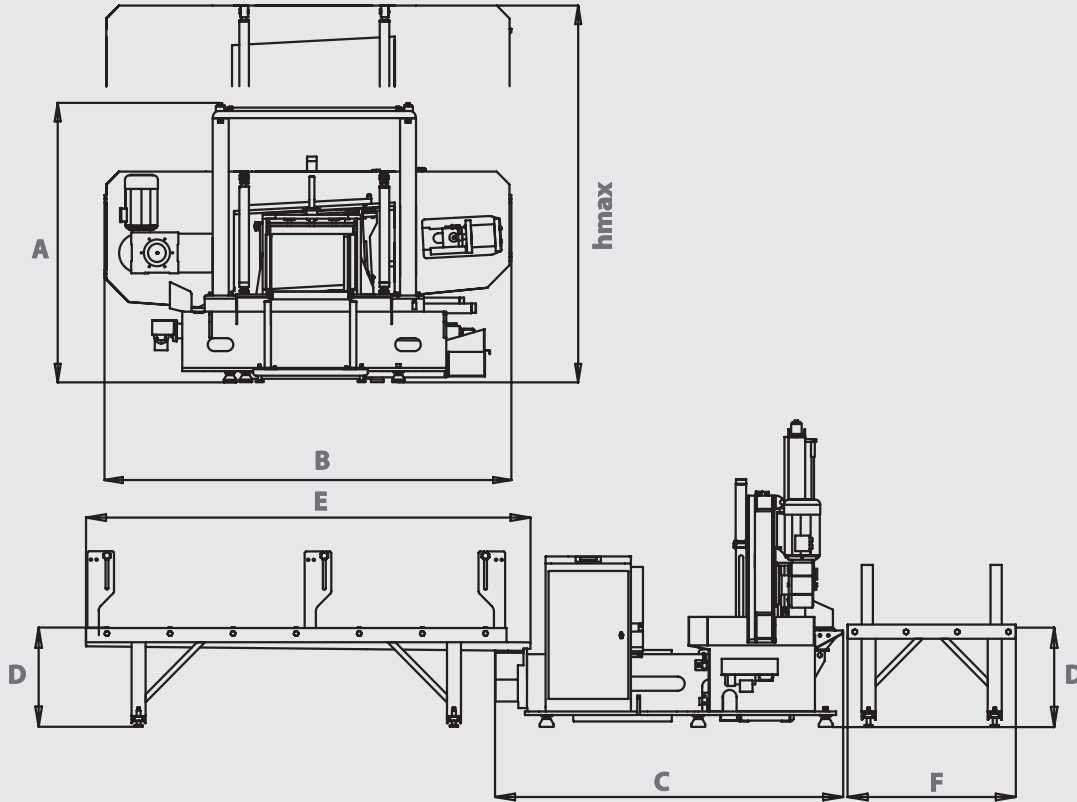


TAM OTOMATİK PLC KONTROLLÜ HİDROLİK SÜTUNLU TESTERE TEZGAHI
FULL AUTOMATIC PLC CONTROL DOUBLE COLUMN HYDRAULIC BANDSAW MACHINE



ÖLÇÜLER DIMENSIONS

SÜTUNLU MODELLER DOUBLE COLUMN TYPES



TEKNİK ÖZELLİKLER TECHNICAL FEATURES

A	2155 mm 84.84 inch	B	3190 mm 125.59 inch	C	2320 mm 91.34 inch	D	700 mm 27.56 inch	E	3170 mm 124.80 inch	F	1200 mm 47.24 inch	hmax	2770 mm 109.06 inch
---	-----------------------	---	------------------------	---	-----------------------	---	----------------------	---	------------------------	---	-----------------------	------	------------------------

Otomatik Automatic	Şerit Ölçüsü Blade Dimension 41 x 1.3 x 6780 mm 1 1/2 x 0.050 x 266.9 inch	Şerit Motoru Blade Motor 4 kW - 1500 d/dk 5.36 hp - 1500 rpm	Sürücü Motor Feeding Motor 1.5 kW - 1500 d/dk 2 hp - 1500 d/dk
Hidrolik Motor Hydraulic Pump Motor 3 kW - 1500 d/dk 4 hp - 1500 rpm	Soğutucu Motor Cooling Liquid Motor 0.12 kW - 3000 d/dk 0.16 hp - 3000 rpm	Voltaj Voltage 400 V 400 V	Maksimum Güç Maximum Power 8.96 kW 12 hp
Kesme Hızı Cutting Speed 15 m/dk - 49 ft/min 100 m/dk - 328 ft/min	Ağırlık Weight 4380 kg 9655 lbs	Talas Konveyörü M Chip Conv. M. 0.25 kW - 1500 d/dk 0.33 hp - 1500 rpm	Talas Fırçası M. Chip Brush M. 0.09 kW - 1500 d/dk 0.12 hp - 1500 rpm

Kesim Kapasitesi Cutting Capacity 550 mm 21.65 inch	Kesim Kapasitesi Cutting Capacity 550 mm 21.65 inch	mm inch	60°	45°	30°	0°	0°	30°	45°	60°
550 mm 21.65 inch	550 x 550 mm 21.65 x 21.65 inch	550 x 550 mm 21.65 x 21.65 inch	550 mm 21.65 inch	550 x 550 mm 21.65 x 21.65 inch	550 x 550 mm 21.65 x 21.65 inch	550 mm 21.65 inch	550 x 550 mm 21.65 x 21.65 inch	550 x 550 mm 21.65 x 21.65 inch	550 x 550 mm 21.65 x 21.65 inch	550 x 550 mm 21.65 x 21.65 inch